

AC LED BREEDER/LAYER LAMP

This lamp features full spectrum output with enhanced luminous power in red wavelengths shown to be beneficial in stimulating sexual activity for breeders and promoting healthy levels of production for layers – while maintaining, or even enhancing, feed consumption ratios.

The AgriShift LED 12-Watt Breeder/Layer light dramatically reduces electrical lighting costs for operators currently using fluorescent, incandescent, or high-pressure sodium lighting. No need for ballasts or transformers. Great power quality with power factor $>.97$, harmonic distortion $<20\%$, and reduction in power lost as heat by 30% or more.

AGRISHIFT 12-WATT BREEDER/LAYER LAMP ADVANTAGES

- Illumination comparable to a 75 watt incandescent bulb
- Designed to dim smoothly from 100% to 2%
- Heavy-duty design; liquid & dust resistant
- Does not contain mercury
- Rated for 50,000 hours (7-10 years of normal operation)
- Instant on; no negative effects from on/off cycles or dimming
- No audible buzz, negligible EMI
- Four installation options: screw base, hard-wired, cord & plug, conduit stub



160-degree beam angle for
install height of 8 to 10 feet



LED PERFORMANCE
24/7
3 YEAR
GUARANTEE

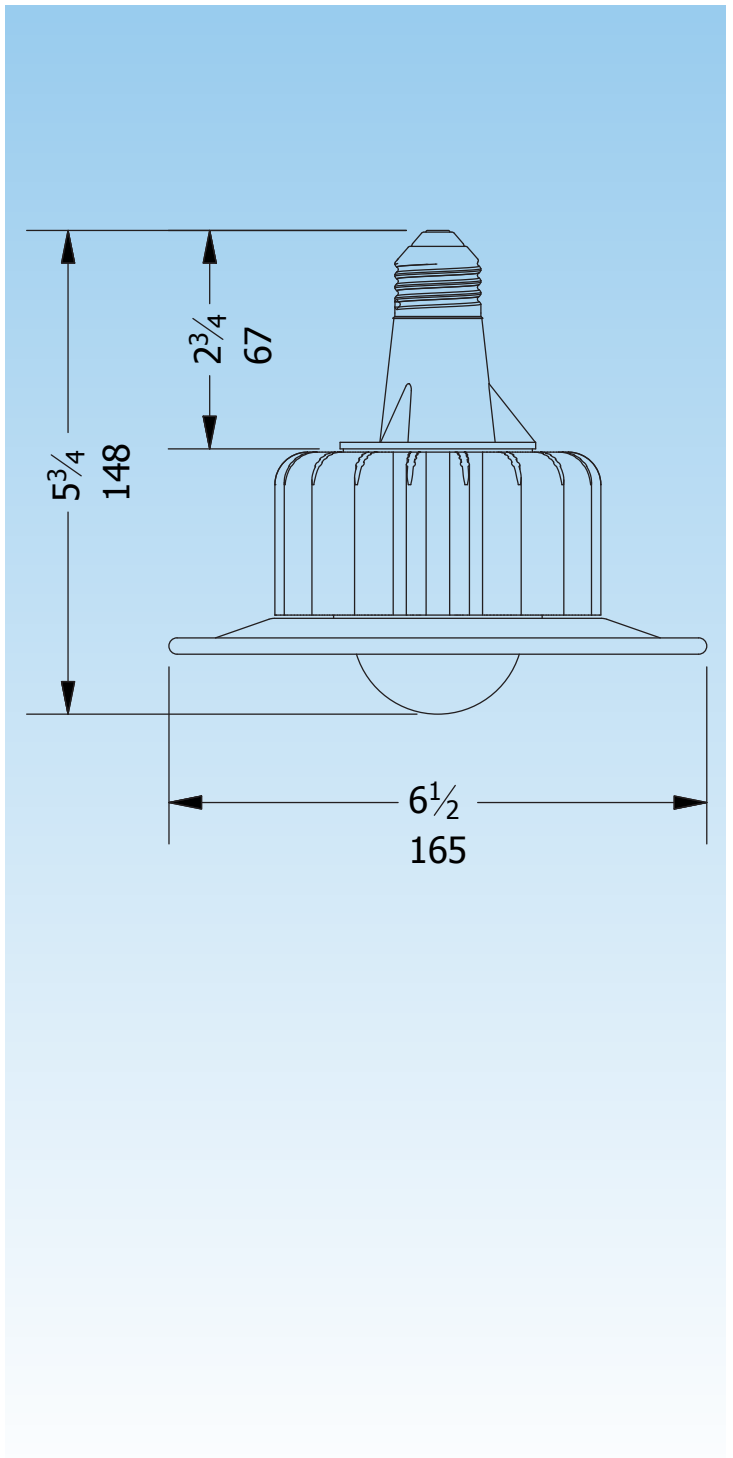
“Our egg production is significantly higher. Not only that, the egg quality is extraordinary and we have virtually no mortality or even aggressive bird behavior.”

- Obed Pujols, San Sebastian, Puerto Rico

Technical and Ordering Specifications

Light Output Equivalence	75W incandescent bulb output
Voltage	120VAC
Frequency	60 Hz/ 50 Hz
Nominal Power	12 W (at full intensity)
Spectral Output	Enhanced luminous power in red & blue wavelengths, dimmable to monochromatic red
Power Factor	>.97
Total Harmonic Distortion	< 20%
Beam Angle	160°
Luminous Flux	700 lm adjusted to poultry spectral sensitivity
Operating Temperature	-20°C to 45°C
Dimmiability Range	100% to 2%
Dimmer Type	Phase Modulation or Amplitude Control
Standards	<ul style="list-style-type: none"> • IP 66 (hard wired electrical connection) • ETL listed/Conforms to UL/ANSI STD/Cert. to CSA STD • RoHS Fully Compliant

SPECIFICATIONS SUBJECT TO CHANGE



Specify details of your order based on the following: AGRISHIFT PL-FSWR-**BB**-160-012-120

Install Type (**BB**)
ES Edison Base
CP Cord & Plug
HW Hard Wired
CS Conduit Stub

Designed for poultry. Built for your barn.™

onceinnovations.com

Once Innovations, Inc. • 5455 Highway 169 N • Plymouth, MN 55442 • P 763. 381. 5621 • F 763. 381. 5698

once[®]
 innovations inc