

LAMP

The Once AC LED PAR30 lamp is the first of its kind commercial-grade solid-state lamp designed specifically for retail. This affordable next generation lamp utilizes patent pending AC conditioning circuitry that delivers system luminous efficacies of up to 80 lumens per watt, total harmonic distortion (THD) levels under 20%, and a power factor (PF) greater than 0.98. It also enables smooth, pseudo-linear dimming from 100% to 5%.

In addition to this robust, compact, and surprisingly affordable technology the Once AC LED PAR30 utilizes Optimized Thermal Management (OTM) and superior minimalistic design. The result is a very attractive commercial quality lamp that will last approximately 50,000 hours, making it the soon-to-be preferred choice for energy efficient replacements or new construction projects.

- Directional qualities make it well suited for track lighting
- Dimensions comply with IED 60630 (4030-1)
- Lighter and more efficient; total product weight just 5 oz.
- Fewer components and greater reliability
- No hazardous materials in the product or used in manufacturing

PACKAGING

Packaging demonstrates the commitment Once Innovations has to the 3Rs of conservation: reduce, recycle, and the forgotten R, reuse.

- Made from recyclable plastic
- Instantly becomes a reusable screw-top container for storage
- One of the few clear plastic packages that has infinite shelf life, yet can be reused, recycled, and is also biodegradable thanks to an additive that makes it completely organic and non-destructive to the environment

Once Innovations, Inc. (ONCE) offers licensing options to major lighting and LED manufacturers for patent pending technologies and designs including, but not limited to, ONCE AC LED conditioning circuitry, Optimized Thermal Management (OTM), plus Product and Reusable Packaging Designs.



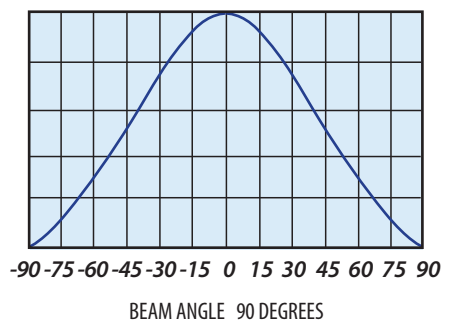
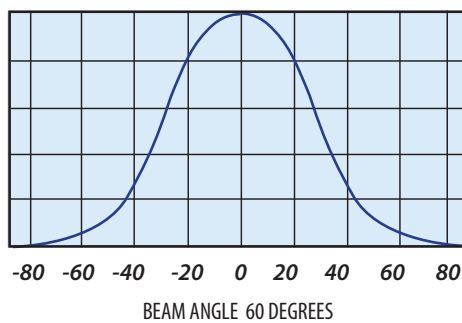
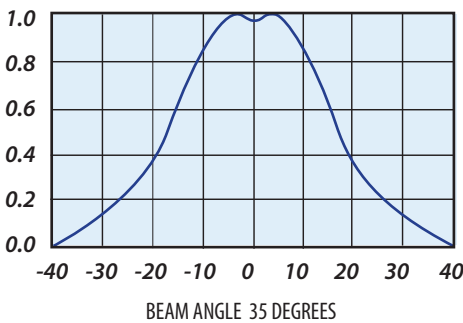
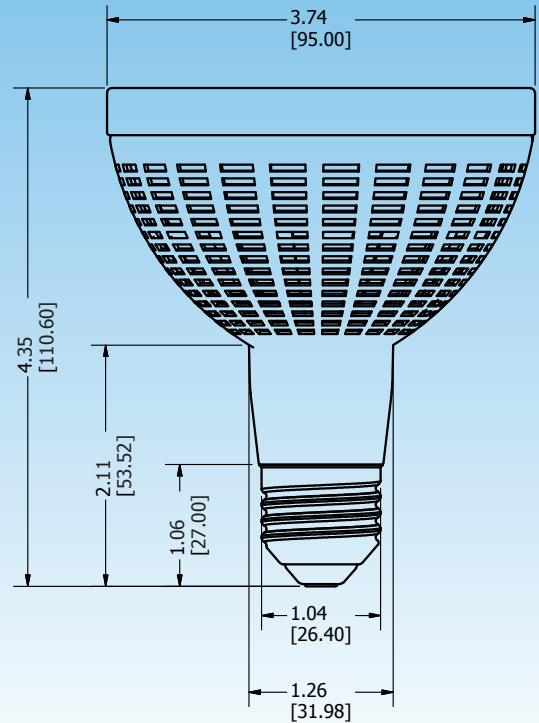
“Once shared, discovery becomes measurable in a currency far more valuable than money.”
- Unknown Author

once™ AC LED PAR30

9.5 Watt

| | | | |
|--------------------------|---------------------------------------|---------------|---------------|
| Light Output Equivalence | 60W Incandescent | | |
| Voltage | 120 / 230 VAC | | |
| Frequency | 60 / 50 Hz | | |
| Average Power | 9.5 W | | |
| ANSI Color Temperature | 2900K / 5100K | | |
| CRI | 80 | | |
| Power Factor | > 0.98 | | |
| THD | < 21% | | |
| Typical | Illuminance at 1M | | Luminous Flux |
| | Beam Angle | Narrow at 35° | Wide at 60° |
| | | | FLOOD |
| | 2900°K | 7900 lux | 1190 lux |
| | 5100°K | 8400 lux | 1840 lux |
| Operating Temperature | -40°C to 70°C | | |
| Dimmability Range | 100 to 5% | | |
| Dimmer Type | Phase Modulation or Amplitude Control | | |
| Dimensions | Meets IEC 60630 | | |
| RoHS | Fully Compliant | | |
| Packaging | Recycled Materials / Biodegradable | | |
| Rated Life | 50000 Hours | | |
| Warranty | 3 Years | | |

PRELIMINARY SPECIFICATIONS



| | | | |
|--------------------------|---|--|--|
| ORDERING INFORMATION | COLOR TEMPERATURE | BEAM ANGLE | VOLTAGE |
| ONCE AC LED PAR30 | 3000k WARM WHITE 5700k NATURAL WHITE | N – NARROW 35° W – WIDE 60° F – FLOOD 90° | 120 – 120 VAC/60 Hz 230 – 230 VAC/50 Hz |

© 2011 Once Innovations, Inc. Patented in the U.S. Other Worldwide Patents Pending. All rights reserved. Rev02232011