

LAMP

A high quality, long-life LED lamp with superior design and tangible advantages. New proprietary technology allows AC to drive the LED chip for lighting without a DC to AC transformer, eliminating complexity and cost. With this technology, the ONCE AC LED GU10 saves up to 30% of the power that would otherwise be lost during the conversion.

- Directional qualities make it one of the best-suited lamps for track lighting
- Dimensions comply with IEC 60630 (4030-1)
- Lighter and more efficient
- Fewer components and greater reliability
- Vast majority of materials are from recycled materials and are biodegradable

PACKAGING

Packaging demonstrates the commitment Once Innovations has to the 3Rs of conservation: reduce, recycle, and the forgotten R, reuse.

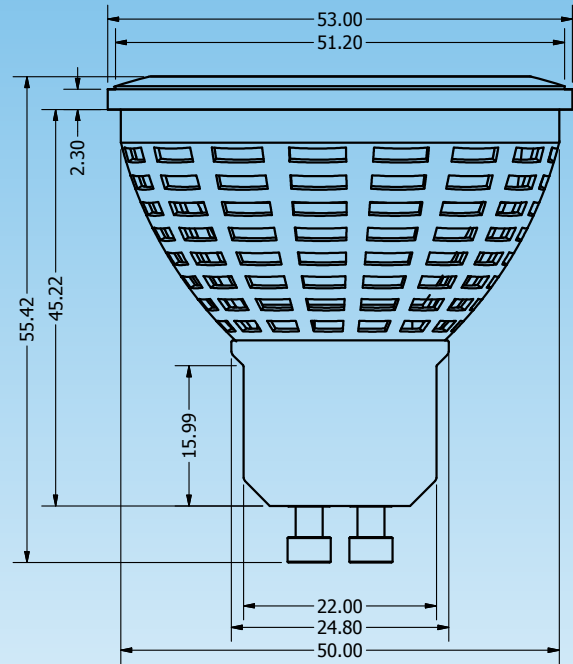
- Made from recyclable plastic
- Instantly becomes a quality, reusable screw-top container for storage
- One of the few clear plastic packages that has infinite shelf life, yet can be re-used, recycled, and is also biodegradable – thanks to an additive that makes it completely organic and non-destructive to the environment



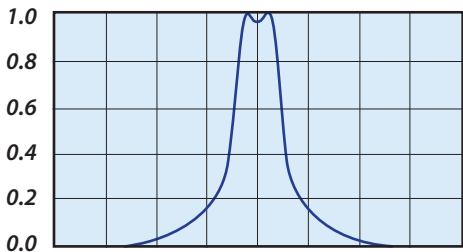
“Once shared, discovery becomes measurable in a currency far more valuable than money.”

- Unknown Author

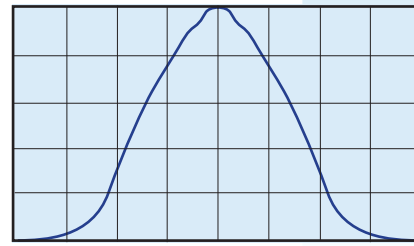
Equivalence	20W Halogen		
Voltage	120 / 230 VAC		
Frequency	60 / 50 Hz		
Average Power	3.5W		
ANSI Color Temperature	3000°K / 5700°K		
CRI	>80		
Power Factor	Min 0.90		
Typical Illuminance at 1m			
Beam Angle	Narrow at 10°	Wide at 35°	Elliptical at 45 x 15°
3000°K	2050 Lux	395 Lux	500 Lux
5700°K	2950 Lux	560 Lux	730 Lux
Operating Temperature	-40°C to 70°C		
Dimmability Range	100% to 5%		
Dimmer Type	Phase Modulation or Amplitude Control		
Dimensions	Meets IEC 60630 (4030-1)		
RoHS	Fully Compliant		
Packaging	Recycled Materials / Biodegradable		
Rated Life	35000 Hours		



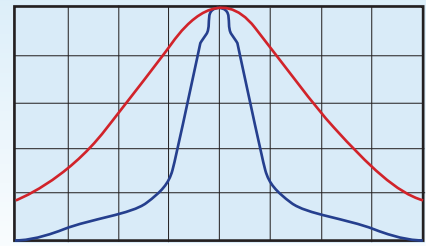
PRELIMINARY SPECIFICATIONS



BEAM ANGLE 10 DEGREES



BEAM ANGLE 35 DEGREES



BEAM ANGLE X 45 DEGREES Y 15 DEGREES

ORDERING INFORMATION	COLOR TEMPERATURE	BEAM ANGLE	VOLTAGE
ONCE AC LED GU10	3000- 3000k WARM WHITE] 5700- 5700k NATURAL WHITE	N – NARROW 10° W – WIDE 35° E – ELLIPTICAL 45° x 15°	120 – 120 VAC/60 Hz 230 – 230 VAC/50 Hz

© 2011 Once Innovations, Inc. Patented in the U.S. Other Worldwide Patents Pending. All rights reserved. Rev02232011